

STAINLESS STEEL 304 PRESS FIT FITTINGS (M PROFILE)

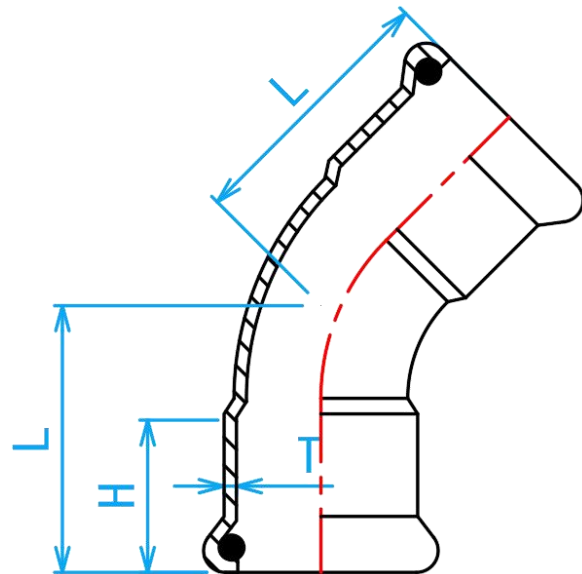
COMPLY WITH BSEN1254-2: 1998



A Product of the nPressGuard® Solution



45° ELBOW



CROSS SECTIONAL VIEW

DIMENSIONS

SKU	SIZE (mm)	L (mm)	H (mm)	T (mm)	WEIGHT (kg)	PCS/CTN
SSPFNE45015	15	31	20	1.5	0.037	400
SSPFNE45020	22	33	21	1.5	0.065	160
SSPFNE45025	28	40	23	1.5	0.090	120
SSPFNE45035	35	45	26	1.5	0.125	140
SSPFNE45042	42	54	31	1.5	0.217	80
SSPFNE45050	54	65	36	1.5	0.268	48
SSPFNE45065	65	93	50	1.8	0.604	18
SSPFNE45080	76	98	51	2.0	0.812	12
SSPFNE45100	108	133	75	2.0	1.615	4